

TOWN ^{Led::} TOP



EXTERIOR | TOWN TOP

Led:: TOWN TOP

Technical characteristics

Luminaire with LED technology for use as public lighting and installation in urban environments. Its exclusive heat dissipation system is integrated into the design of the luminaire as one more element, providing it with an elegant and discreet style. Design: J. Ribaudi.

Ideal for lighting streets, avenues, residential areas, parks and gardens, car parks, pedestrian areas.

To install from 4 to 10m high.

Characteristic dimensions: 430 x 430 x 120 mm.

Maximum power 235W / Maximum flux 34800lm.

Luminaire composed of body and upper cover in aluminum alloy type EN AC 44300 with low copper content (<0.1%). TOP fixing to Ø60mm terminal by means of an external Ø76mm sleeve and articulated cast aluminum arm.

Access to the equipment through the top cover, fixed to the body with M6 captive screws and silicone gasket.

Approx. weight: 12Kg.

IP66 / IK08 (IK10 optical group)

PMMA diffuser with high impact resistance or flat tempered glass.

Optical group with high efficiency LEDs in rectangular arrangement.

The LEDs fixed to the main body transmit heat by conduction, and the cooling radiator integrated in the body dissipates heat to the outside by convection extremely efficiently.

Set of independent lenses of our own design in optical PMMA with efficiency of up to 93%. Optionally, rear reflector for flux recovery in injected and aluminized PMMA with a high reflectivity index (95%). The wide range of lenses and reflectors available allows all photometric needs to be optimally solved.

Color temperature: 3000°K or 4000°K. Optionally for areas with environmental protection: amber filter, 2200°K or 2700°K.

FHS < 0.1%.

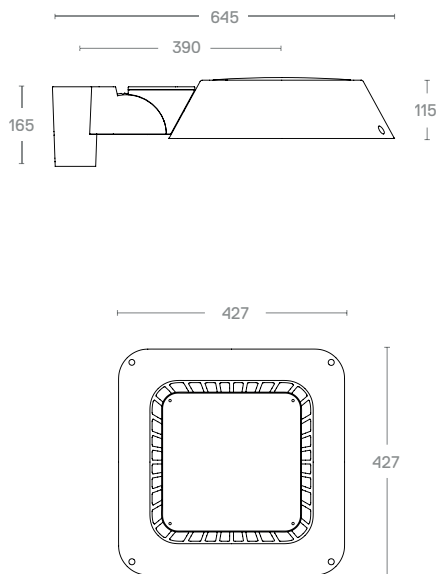
Minimum CRI 70.

Useful life: L90B10 > 100,000 h (consult depending on the type of LED and configuration).

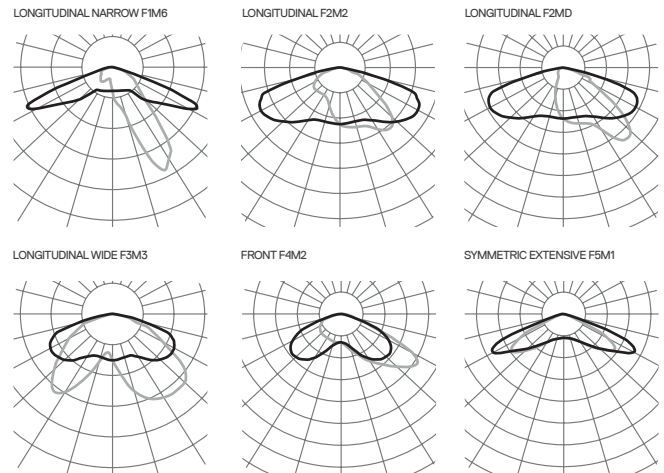
AC voltage 220V-240V ~ 50/60Hz. Class I / Class II optional.

Color Silver Gray G2. Other colors available.

Standards: IEC 60598, IEC 62031, IEC 62471, IEC 60529, EN 55015, IEC 61000, IEC 61547, IEC 62493, IEC 62471, IEC 61437, IEC 62384, EN 50102, CE, ISO9001, ISO14001, ISO45001.



Photometries



Consult the product configurator for other options.

Versions

PCB	3000K		4000K			
	mA	W	lm	lm/W	lm	lm/W
246	350	55	8880	161	9120	165
	500	78	12240	156	12720	163
	500	78	12240	156	12720	163
30N	350	128	17700	138	18900	147
	500	182	24000	131	25800	141
	700	255	32400	127	34800	136
24D	350	100	14400	144	15360	153
	500	143	19920	139	21360	149
	600	172	23280	135	24960	145
10W	350	42	6000	142	6400	152
	500	60	8300	138	8900	148
	1100	131	15600	119	16700	127
15W	350	63	9000	142	9600	152
	500	90	12450	138	13350	148
	900	161	20250	125	21750	135
20W	350	84	12000	142	12800	152
	500	119	16600	139	17800	149
	1100	262	31200	119	33400	127
30W	350	125	18000	144	19200	153
	500	179	24900	139	26700	149
	700	250	33300	133	35400	141
20X	350	84	12000	142	12800	152
	500	119	16600	139	17800	149
	700	167	22200	132	23600	141
24W	350	100	14400	144	15360	153
	500	143	19920	139	21360	149
	800	229	29520	128	31680	138
245	350	55	8880	161	9120	165
	500	78	12240	156	12720	163
	700	109	16080	147	16800	154

